

Memo

To: All CAD Users
From: Tom Hanley
Date: 12/8/2003
Re: CAD Drafting - Piping

Piping Drafting Standards

Many drawings have been created with piping systems labeled differently than they are drawn. This is a problem when the Survey Dept. does its stakeout. The following procedures should be used when drawing piping systems. Refer to the attached details for further explanation.

Sanitary Sewer Systems

Sanitary sewer systems are installed based on centerlines of manhole structures. Piping should be drawn to the inside of the wall of the structure. The length of pipe is measured horizontally to the centerline of the structures (slope is disregarded). See attached Manhole – Elevation View detail sheet. Invert in is set 0.10' above invert out.

Drainage Systems

Drainage systems are installed based on the ends of pipe at the centerline. Refer to Pipe Length Between Headwalls – Plan View. Pipe length is measured horizontally (without regard to slope) and the structure penetration must be considered. If the pipe enters the structure at an angle this is especially true. Refer to Drainage Catch Basins – Plan View.

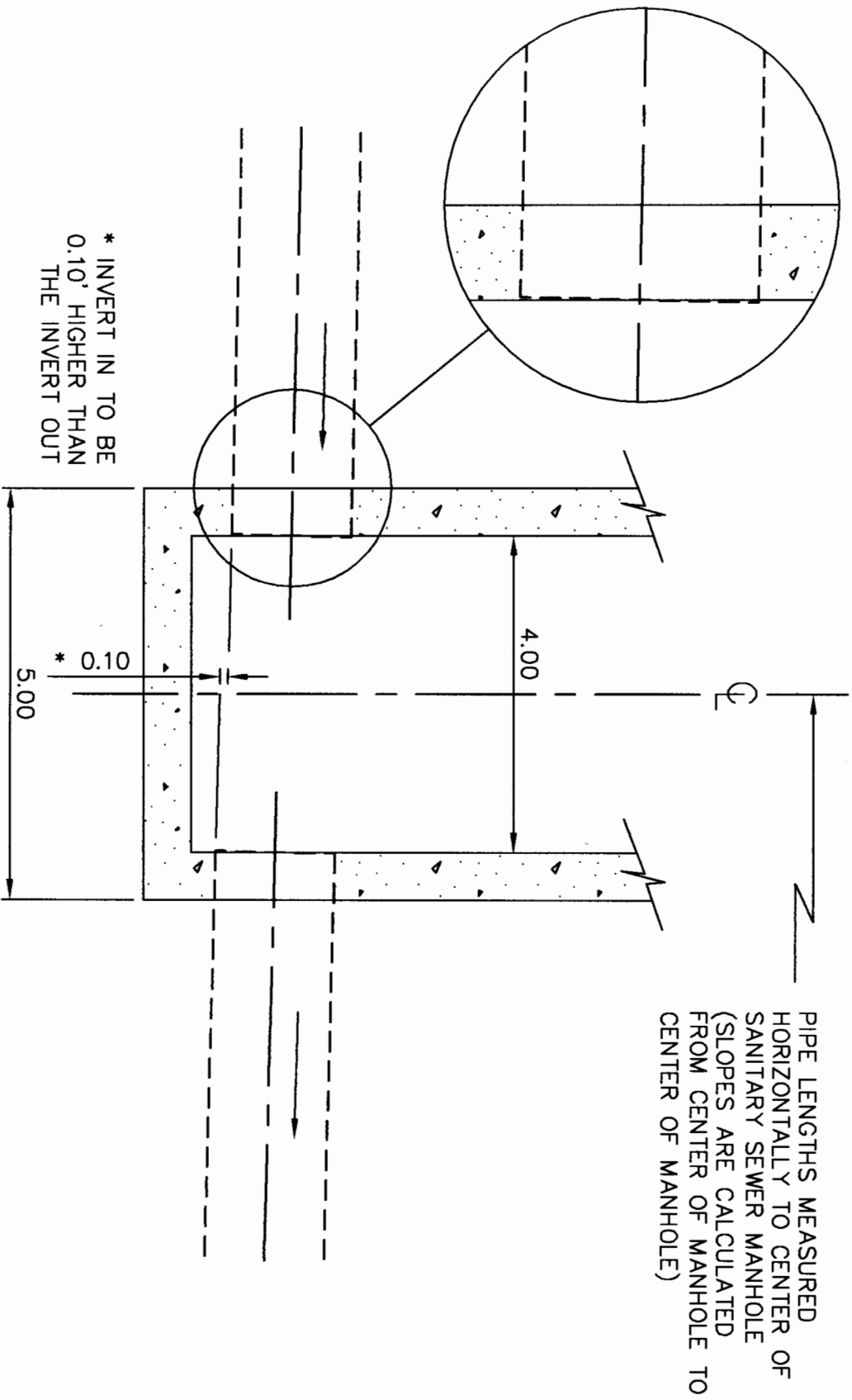
General

Show the length of pipe (round up to nearest foot), diameter of pipe, material and slope. (151' – 8" SDR 35@0.40%)

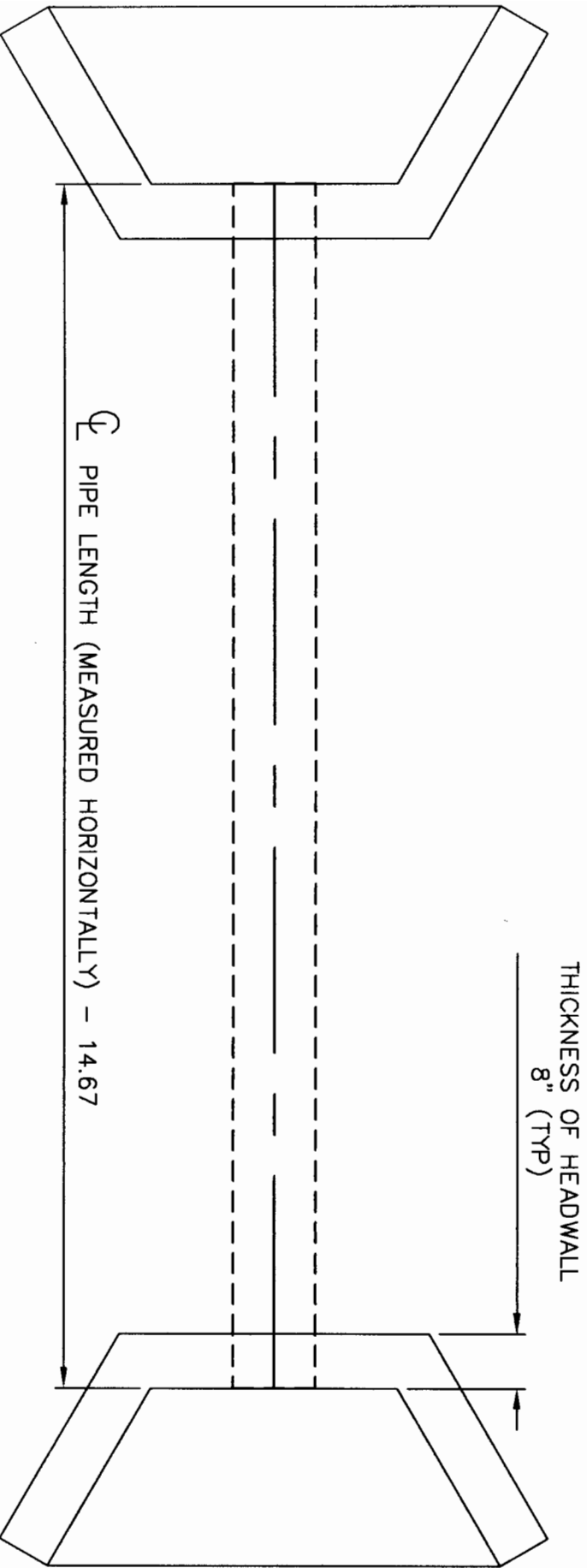
Please contact me if you have any questions concerning this procedure or need further clarification.

Thank You,

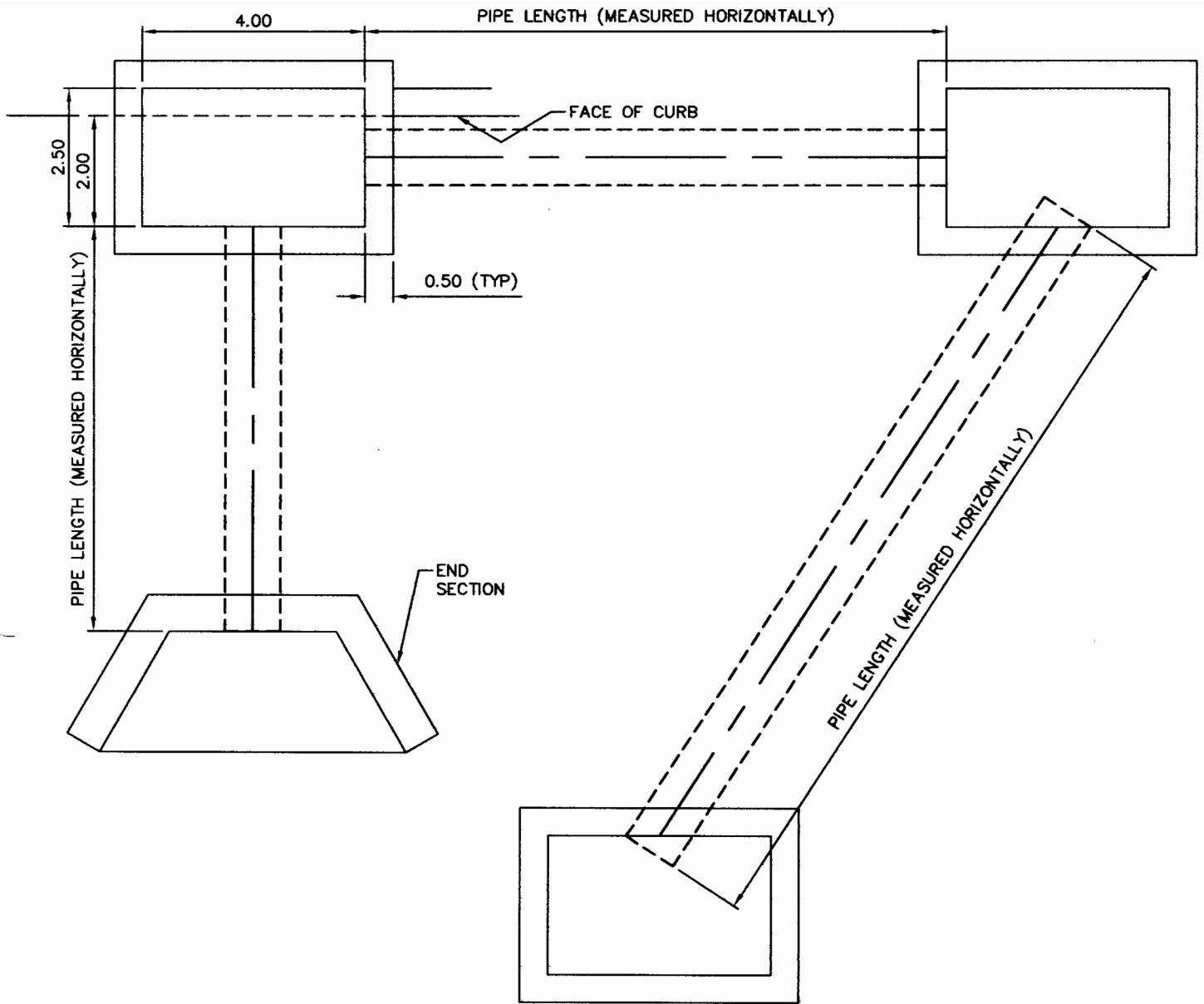
Tom Hanley



MANHOLE - ELEVATION VIEW



PIPE LENGTH BETWEEN HEADWALLS - PLAN VIEW



DRAINAGE CATCH BASINS – PLAN VIEW